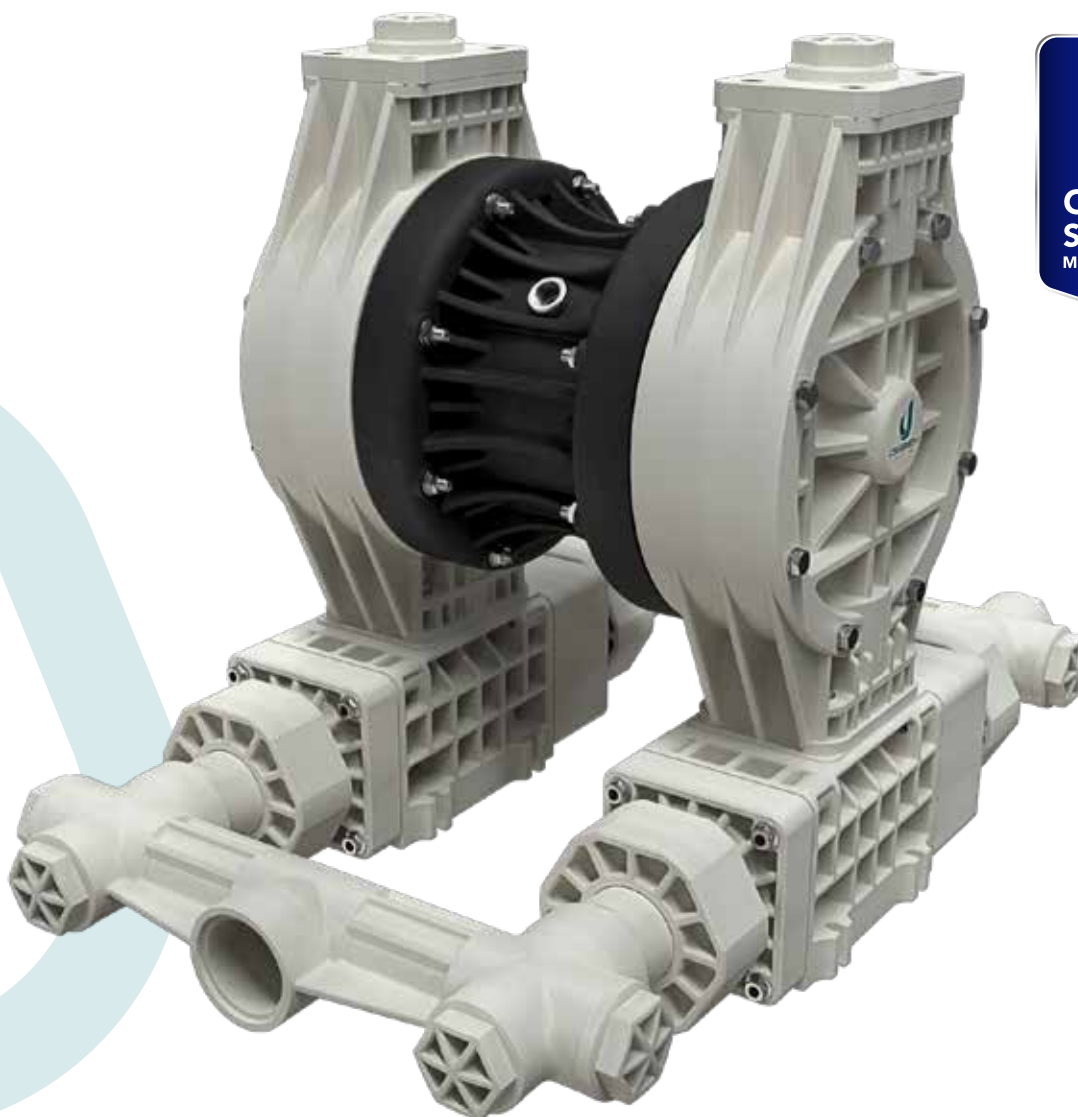


FULLFLOW 502

PNEUMATIC DOUBLE DIAPHRAGM PUMPS WITH CLAPET CIRCUIT



- Product designed in Italy
- Polypropylene body
- PATENTED anti-stall pneumatic circuit
- Operates with NON-lubricated air
- Clapet in EPDM and NBR and natural rubber, core in AISI 316 always in contact with fluid
- Dual suction and discharge
- SELF-PROCESSING
- Supports dry running
- Possibility of adjusting the operating speed
- Versatility of use
- Usable with fluids containing suspended solids
- Suitable for continuous services

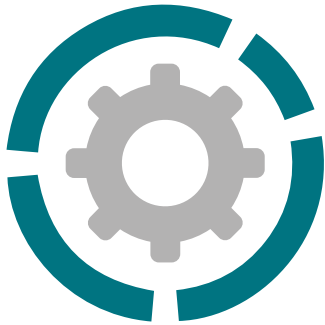
FULLFLOW 502

PNEUMATIC DOUBLE DIAPHRAGM PUMPS WITH CLAPET CIRCUIT



Specifications and types

STANDARD: II 3G Ex h IIB T4 Gc - II 3D Ex h IIIB T135°C Dc X - I M2 Ex h I Mb X
 CONDUCT: II 2G Exh IIB T4 Gb - II 2D Exh IIIB T135°C Db X - Exh IIB T4 Gb - Exh IIIB T135°C Db



Suction/discharge connections	2" 1/2 f (BSPP) or DN 65
Air fitting	1/2" f BSPP
Max. flow rate*	530 l/min
Max. supply air pressure	4 bar
Max. head*	40 m
Max. negative suction head - dry running	3,5 m
Max. diameter suspended solids	45 mm
Max. particle length	600 mm

*The curves and performances refer to pumps with immersed suction and free delivery port, with water at 20°C and vary according to the materials of composition.



PP

Fullflow 502



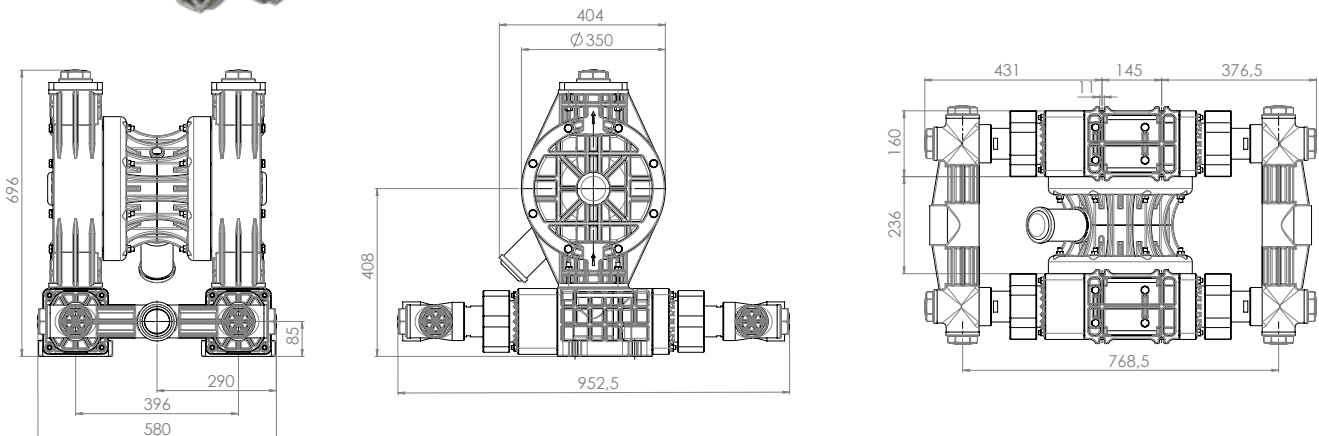
Maximum Dimensions

Height	696 mm
Width	580 mm
Depth	952,5 mm



Construction materials (body and manifolds) and net weight

Polypropylene (with glass filler)	55 Kg
	Temp. 3°C min. 65°C max



FULLFLOW PUMPS CODES ENCODING

e.g. FC502P-DDDPD--

FullFlow 502 made of PP, diaphragms made of EPDM, wear ring made of EPDM, clapet made of EPDM, clapet seat made of PP and O-ring made of EPDM

FC502	P	D	D	D	P	D
PUMP MODEL	PUMP BODY	MEMBRANES	WEAR RING	CLAPET	CLAPET SEAT	O-RING
FC502 - Fullflow 502	P - PP	N - NBR D - EPDM	D - EPDM N - NBR	D - EPDM N - NBR	P - Polypropylene	D - EPDM N - NBR

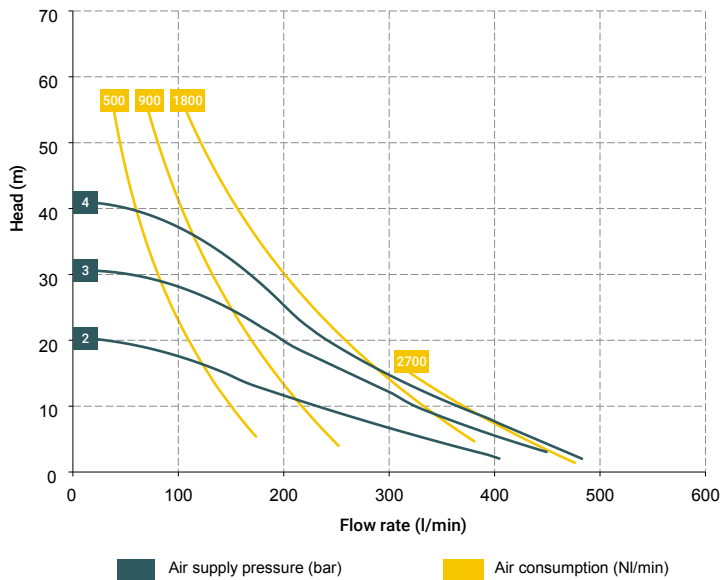
FULLFLOW 502

PNEUMATIC DOUBLE DIAPHRAGM PUMPS WITH CLAPET CIRCUIT

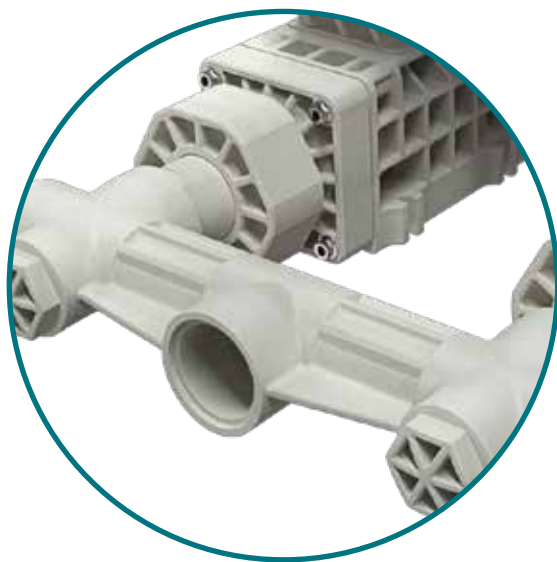


Specifications and types

STANDARD: II 3G Ex h IIB T4 Gc - II 3D Ex h IIIB T135°C Dc X - I M2 Ex h I Mb X
CONDUCT: II 2G Ex h IIB T4 Gb - II 2D Ex h IIIB T135°C Db X - Ex h IIB T4 Gb - Ex h IIIB T135°C Db



*The curves and performances refer to pumps with immersed suction and free delivery port, with water at 20°C and vary according to the materials of composition.



Distributor material T40 (compressed air circuit)

- POM

Core material:

- Polypropylene (with glass filler)

Diaphragm materials:

- NBR
- EPDM

Cap materials:

- Polypropylene (with glass filler)

O-ring materials:

- EPDM
- NBR

Clapet materials:

- EPDM
- Natural Rubber

Accessories:

- Air regulation kit W8000-20-G

Packaging:

Wooden case - cm 113 x 73 x 91 - weight 55 Kg

(the weight refers only to the packaging without the pump inside)

Any colour variations in our polypropylene and PVDF products are due to the special blends of the raw materials used. The use of high levels of glass and long-fiber carbon filler result in a unique colour that does not in any way affect the quality of the product; on the contrary, it points to the high level of content used to ensure outstanding performance.

MAIN APPLICATION SECTORS



CERAMIC, STONE,
MARBLE
GLASS AND MINING
INDUSTRY



WATER AND SLUDGE
TREATMENT



TEXTILE AND
LEATHER
INDUSTRY



PACKING, GLUE,
PAPER AND PAPER
MILLS



GALVANIC AND ELECTRONIC
INDUSTRY