

CUBIC 15

AIR-OPERATED DOUBLE DIAPHRAGM PUMPS



- Product designed and constructed in Italy
- PATENTED stall-prevention pneumatic circuit
- Operates with NON-lubricated air
- SELF-PRIMING
- Supports dry running
- ATEX certification for ZONE 1 - ZONE 2
- Adjustable operating speed
- Versatile
- Suitable for pumping fluids in demanding applications
- Usable with fluids containing suspended solids
- Option of suspended installation
- Suitable for continuous use

CUBIC PUMPS CODES ENCODING

Example table, for the table with the complete codes please contact the Debem sales department.

ex. ICU15P-NTTPV- -

Internal distributor, Cubic 15, PP casing, NBR air side diaphragm, PTFE product side diaphragm, PTFE balls, PP ball seats, Viton® o-ring.

I	CU15	P	N	T	T	P	V	-	-
INTERNAL DISTRIBUTOR	PUMP MODEL	DAMPER PUMP	AIR-SIDE DIAPHRAGM	PRODUCT-SIDE DIAPHRAGM	BALLS	BALL SEATS	O-RING*	SPLIT MANIFOLD	CONDUCT VERSION
I	MID - Midgetbox CU15 - Cubic 15	P - Polypropylene EC - ECTFE (Halar®) PC - PP+CF	N - NBR	T - PTFE	G - Pyrex® ¹⁾ A - AISI 316 L T - PTFE	R - PPS K - PEEK' P - PP E - ECTFE A - AISI 316 L I - PE-UHMW	D - EPDM V - Viton® N - NBR T - PTFE	X Split manifold Y NPT thread	C*

1) Only for MIDGETBOX

*C = CONDUCT version for ATEX ZONE 1

CUBIC 15

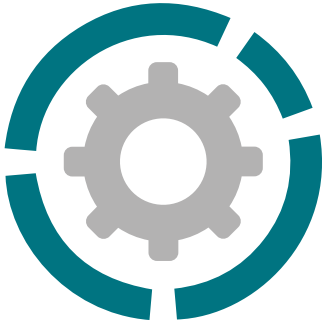
AIR-OPERATED DOUBLE DIAPHRAGM PUMPS



Specifications and types



STANDARD: II 3G Ex h IIB T4 Gc - II 3D Ex h IIIB T135°C Dc X
CONDUCT: II 2G Ex h IIB T4 Gb - II 2D Ex h IIIB T135°C Db X



Suction / delivery connections	3/8" f BSPP (*)
Air fitting	3/8" f BSPP
Max flow rate*	17 l/min
Max supply air pressure	8 bar
Max head*	80 m
Max negative suction head - dry-running**	3 m
Max negative suction head - pump primed	9,5 m
Max diameter of suspended solids	0,5 mm
Noise level	65 dB
Volume per stroke	10,3 cc

(*) NPT fittings only on request

* The curves and performances refer to pumps with immersed suction and open delivery outlet with water at 20 °C and vary according to the composition materials.

** Value depends on pump configuration.



PP

Cubic 15



Maximum Dimensions

Height	105 mm
Width	201 mm
Depth	105 mm



Construction materials (body and manifolds) and net weight

Polypropylene (with glass filler)	1,35 Kg
	Temp. 3°C min. 65°C max
Conductive polypropylene (with carbon filler)	1,35 Kg
	Temp. 3°C min. 65°C max



ECTFE

Cubic 15



Maximum Dimensions

Height	105 mm
Width	201 mm
Depth	105 mm



Construction materials (body and manifolds) and net weight

ECTFE (with carbon filler)	1,6 Kg
	Temp. 3°C min. 95°C max

Any colour variations in our polypropylene and PVDF products are due to the special blends of the raw materials used. The use of high levels of glass and long-fiber carbon filler result in a unique colour that does not in any way affect the quality of the product; on the contrary, it points to the high level of content used to ensure outstanding performance.

CUBIC 15

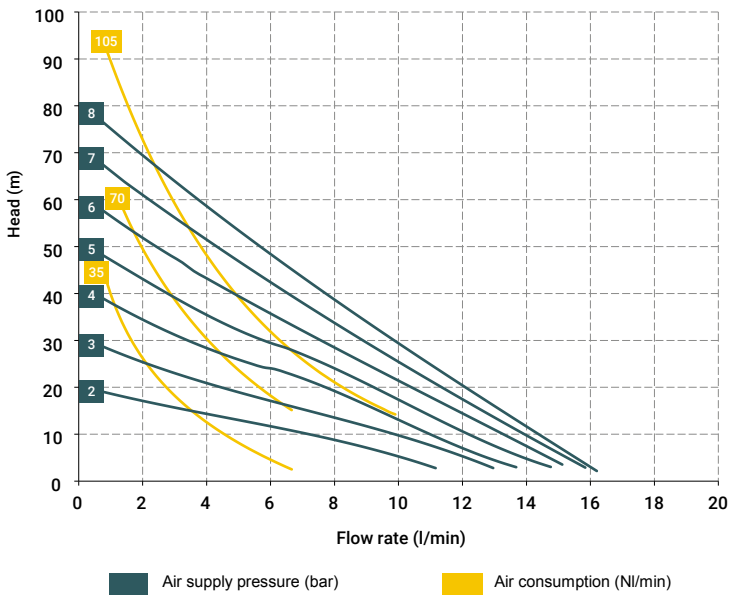
AIR-OPERATED DOUBLE DIAPHRAGM PUMPS



Specifications and types



STANDARD: II 3G Ex h IIB T4 Gc - II 3D Ex h IIIB T135°C Dc X
 CONDUCT: II 2G Ex h IIB T4 Gb - II 2D Ex h IIIB T135°C Db X



T15 distributor material (pneumatic circuit):

- POM

Central material:

- Polypropylene (with glass additive)
- Conductive polypropylene (with carbon additive)

Diaphragm materials:

- PTFE
- NBR

Caps materials:

- Polypropylene (with glass additive)
- Conductive polypropylene (with carbon additive)
- PVDF

Ball materials:

- PTFE
- AISI 316 L
- EPDM

O-ring materials:

- EPDM
- NBR
- VITON®
- PTFE

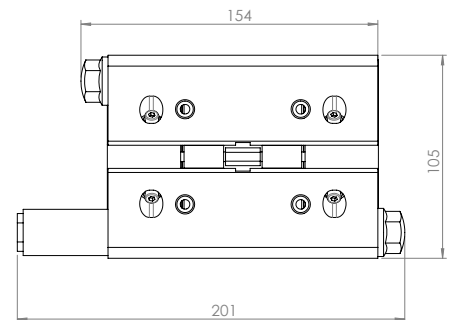
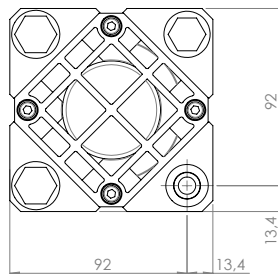
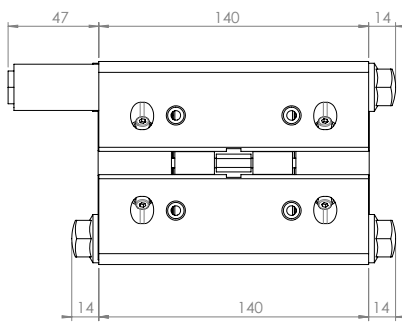
Packaging:

cardboard box - cm 14 x 19 x 14 - weight 0.17 Kg
 (the weight refers only to the packaging without the pump inside)

Accessories:

- Equaflex 51
 (For damper materials, please refer to the technical data sheet)
- Foot valve
- Air regulation kit W1000-8-G
- Batch controller
- Stroke counter

MAIN APPLICATION SECTORS



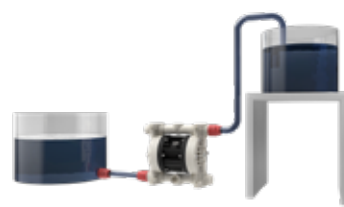
SPLIT SUCTION and DELIVERY



SELF-PRIMING USE



UNDER HEAD USE



DRUM TRANSFER

